



GB

MAXIMUM BIKE WEIGHT CAPACITY

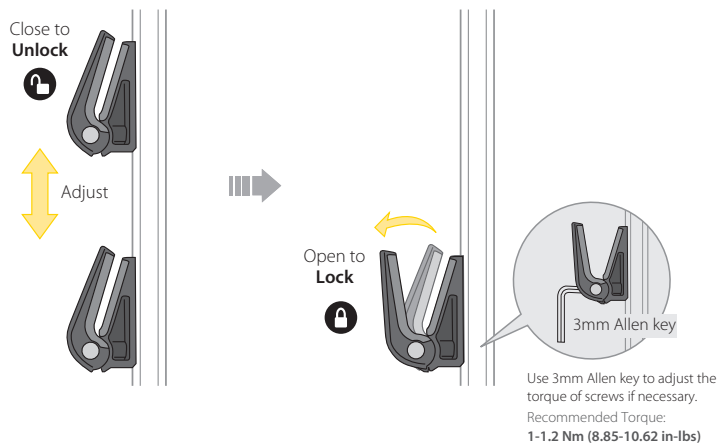
25 kgs



Transformer™ XX fits most bikes, however, it will not work with bikes that do not have seatstays or chainstays.

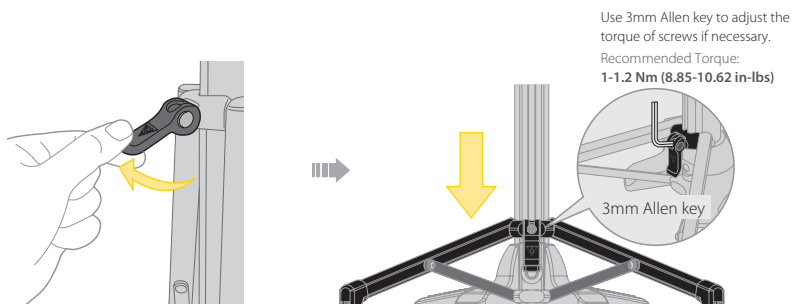
OPERATING INSTRUCTIONS

Close hook and slide to adjust to proper height. Open hook to lock in position.

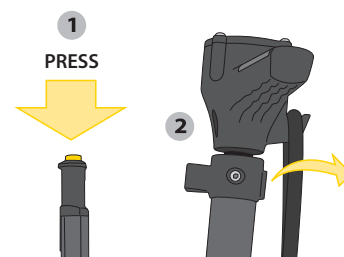


HOW TO SEPARATE TRANSFORMER™ XX STAND

1 Use the QR locking lever to open or close the support legs completely.



2 Press Release Button to separate Transformer™ XX.



WARNING

Fits Seatstays & Chainstays ≤ ø 28 mm



DO NOT PUT ANY WEIGHT ON BIKE.



Be aware of the distance between wheel and support legs and insure there is no interference while operating the crank.



Avoid bodily harm when folding support legs.



DO NOT use on grass, loose dirt, gravel, uneven or soft surfaces. Check the stability of the Transformer™ XX periodically to insure safe storage of your bikes.

WARRANTY

2-year Warranty: All mechanical components against manufacturing defects only.

Warranty Claim Requirements
To obtain warranty service, you must have your original sales receipt. Items returned without a sales receipt will assume that the warranty begins on the date of manufacture. All warranties will be void if the product is damaged due to user crash, abuse, system alteration, modification, or used in any way not intended as described in this manual.

*The specifications and design are subject to change without notice.
Please contact your Topeak dealer with any questions.
For USA customer service call: 1-800-250-3068
www.topeak.com